

3COMM⁺

Professional TX-M180 FM In-vehicle Two Way Radio

Wide Frequency Range · High Power Output · Long Range

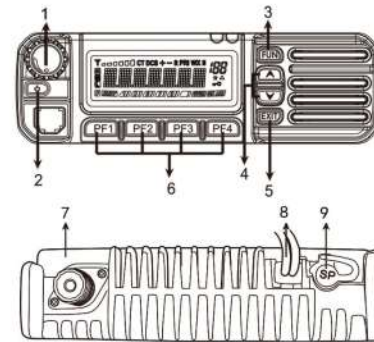


- ▶ Emergency Alarm Feature
- ▶ Channel Store / Delete
- ▶ Busy Channel Lockout
- ▶ Output Power Selected
- ▶ Channel Monitor
- ▶ Frequency Mode / Channel Mode /
- ▶ Output Power Will Be Adjusted
According to The Radio's Temperature
- ▶ Talk Around
- ▶ Keypad Locked
- ▶ Scan
- ▶ QT/DQT
- ▶ 2 Tone / 5 Tone
- ▶ DTMF
- ▶ TOT
- ▶ Scrambler
- ▶ Compandor
- ▶ Side Tone

3COMM⁺

PROFESSIONAL ANALOG MOBILE RADIO **TX-M180**

Radio Overview



No.	Name
1	[Volume] Tuning Knob
2	Power Switch Key
3	[FUN] Key
4	[^] and [v] key
5	[EXIT] Key
6	[PF1] [PF2] [PF3] [PF4] Key
7	Antenna Connector
8	Power Input 13.8V DC Cable
9	SP(speaker) Jack

Specification

Transmitter		General		
RF Power Output	50W/25W/10W (VHF)	Frequency Range	VHF: 136-174MHz	
Modulation	16KΦF3E (Wideband) 11KΦF3E (Narrowband)	Channel Capacity	199 Zone	
Audio Distortion	≤5%	Zone Capacity	32	
Modulation Limiting	≤5kHz (Wideband) / ≤2.5kHz (Narrowband)	Channel Spacing	25kHz(Wideband)/12.5kHz (Narrowband)	
FM Noise	≥40dB(Wideband) / ≥36dB (Narrowband)	Antenna Impedance	50Ω	
Spurious and Harmonics	-36dBm<1GHz -30dBm>1GHz	Operating Voltage	DC 13.8V±15%	
Adjacent Channel Power	≤-70dB(Wideband) / ≤-60dB (Narrowband)	Current Drain	Standby	≤0.3A
Receiver			Receive	≤0.8A
			Transmit	≤ 4A (10W) ≤6A (25W) ≤ 10A (50W)
Sensitivity(12db SINAD)	≤0.20uV(Wideband) / ≤0.25uV (Narrowband)	Frequency stability	±2.5ppm	
Audio Power Output	≥3.0W	Operating Temperature	-25°C~+55°C	
Audio Distortion	≤5%	Dimensions (H×W×D)	165mm×165mm×50mm	
S/N	≥45dB(Wideband) / ≥40dB (Narrowband)	Weight	1.20 Kg	
Selectivity	≥70dB(Wideband) / ≥60dB (Narrowband)			
Spurious Response Rejection	≥70dB			
Intermodulation	≥60dB			

*The above specifications are tested in accordance with applicable standards. Due to the continuous development of technology, the above index data are subject to change without notice.

Standard Accessories



Microphone



Bracket



Power Cable



Hanger + Screws



Mounting Screws

Swarna Abadi Teknologi (SWAT)