

DIGITAL ANALOG

Professional Digital FM Two Way Radio **IP68**

TX-P150

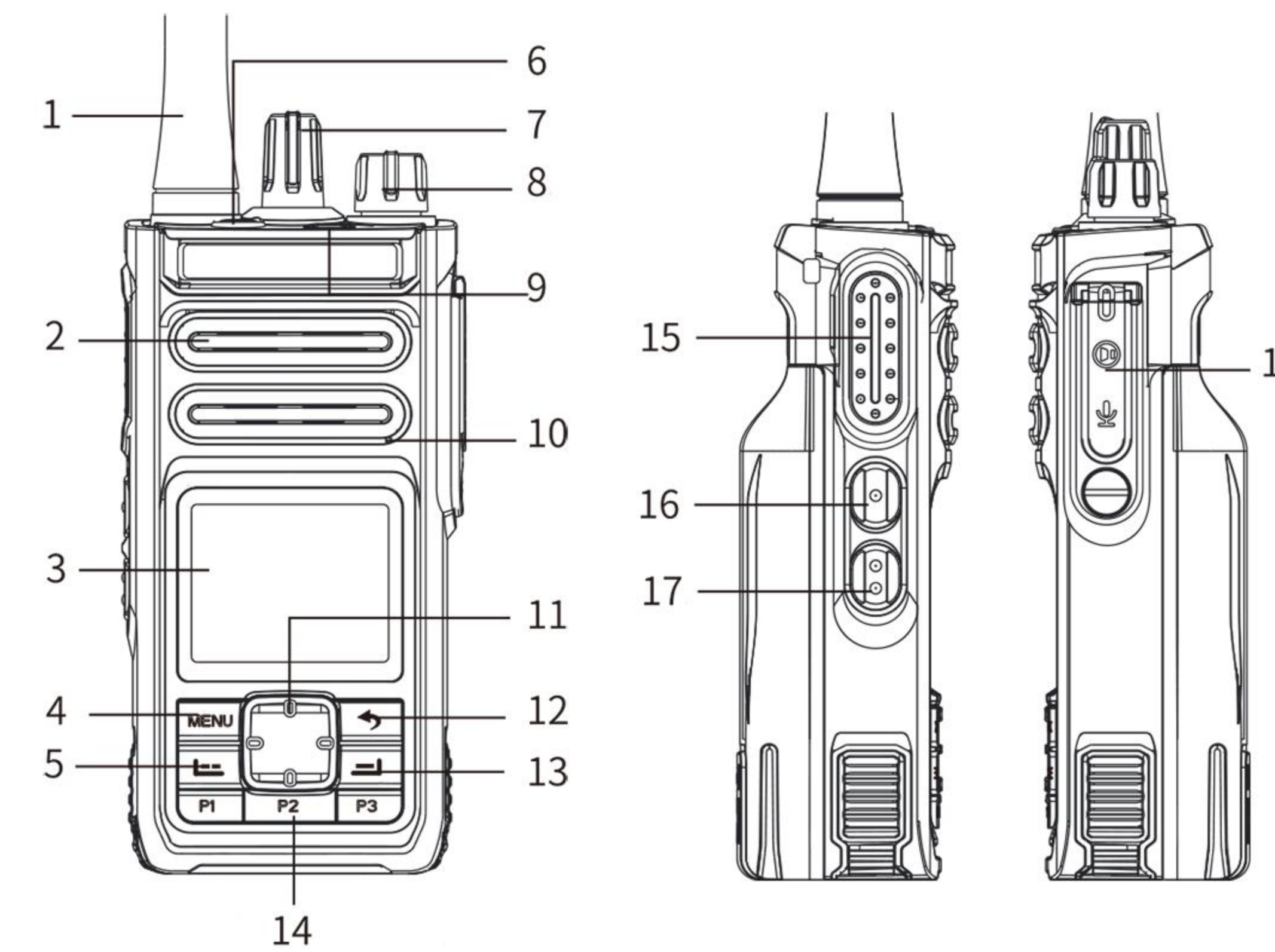


- ✓ VOX
- ✓ Supports Recording Function
- ✓ Short Message
- ✓ 1.77-inch HD Color Display
- ✓ Programmed Buttons
- ✓ Voice Announcement
- ✓ High / Low Power
- ✓ Scrambler
- ✓ Time-out Timer
- ✓ Power Saving
- ✓ Scan
- ✓ Squelch
- ✓ Key Lock
- ✓ High-definition Audio Clarity
- ✓ Single call/Group call/All call
- ✓ AES256 Encryption
- ✓ Remote Killed/Remote Monitor
- ✓ Activate
- ✓ Zone Switch
- ✓ Call Alert

3COMM+

Professional Portable Digital Radio **TX-P150**

Product Layout



No.	Name	No.	Name
1	Antenna	12	Return Key
2	Speaker	13	HOME Key
3	LCD Display	14	Programming Key (P1/P2/P3)
4	Menu Key	15	PTT Key
5	OK Key	16	Side Key 1
6	Top Key	17	Side Key 2
7	Channel Knob	18	Accessories Jack
8	Power/ Volume Knob		
9	LED Indicator		
10	MIC		
11	Navigation Key		

Specification

Transmitter		Receiver		General	
RF Power	1W (Low) / ≤5W (High)	Analog Sensitivity	0.22μV (12dB SINAD)	Frequency Range	136~174MHz, 350~400MHz, 400~470MHz, 450~520MHz
Power Margin Variation	+2/-3dB (under Extreme Conditions)	Digital Sensitivity	0.25μV (Typical) (BER 5%)	Channel Spacing	12.5 KHz / 25 KHz
Frequency Error	±1.0ppm	Adjacent Channel Selectivity	60dB @ 12.5KHz 65dB @ 25KHz	Channel/Zone Capacity	1024 Channels / 32 Zones
FSK Error	<5%	Intermodulation Rejection	60dB @ 12.5KHz 60dB @ 25KHz	Operating Voltage	7.4V
4FSK Transmission Bit Error Rate (BER)	≤1×10 ⁻⁴	Blocking	84dB @ 12.5KHz 84dB @ 25KHz	Battery Capacity	2200mAh
4FSK Modulation Frequency Deviation Error	≤10.0%	Co-Channel Rejection	-12dB @ 12.5KHz -8dB @ 25KHz	Battery Life (5/5/90)	Analog: 10.5 hours ; Digital: 13 hours
Occupied Bandwidth (PDT/DMR)	≤8.5KHz	Spurious Response Rejection	65dB @ 12.5KHz 65dB @ 25KHz	Vocoder Type	AMBE+2TM
TX Attack/Release Time	≤1.5ms	Rated Audio Output Power	1.0W /16Ω	Frequency Stability	±1.0ppm
Adjacent Channel Power	≤-50dB @ 12.5KHz ≤-60dB @ 25KHz	Conducted Spurious Emission	<-57dBm (9KHz~1GHz) <-47dBm (1GHz~12.75GHz)	Antenna Impedance	50Ω
Transient Adjacent Channel Power	≤-50dB @ 12.5KHz ≤-60dB @ 25KHz			Dimensions (without Antenna)	134mm*61mm*39mm
FM Modulation	16K0F3E @25KHz 11K0F3E @12.5KHz			Weight	Around 305g
4FSK Digital Modulation	12.5KHz (data only) : 7K60FXD 12.5KHz (data+voice) : 7K60FXE			Ingress Protection (IP) Rating	IP68
Audio Distortion	≤3% @ 40% Deviation				
Audio Response	+1 ~ -3dB				
FM Hum and Noise	40dB @ 12.5KHz / 45dB @ 25KHz				
Spurious Emission	≤-32dBm (9KHz~1GHz) ≤-30dBm (1GHz~12.75GHz)				

*The above specifications are tested in accordance with applicable standards. Due to the continuous development of technology, the above index data are subject to change without notice.

Standard Accessories



Antenna Battery Belt Clip Charger Dock AC Adaptor Hand strap

Swarna Abadi Teknologi (SWAT)